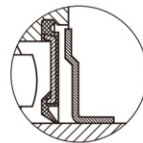
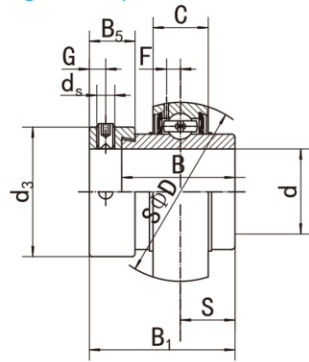


Ball Bearings
(with eccentric locking collar)



SL Dual seal
(Standard)



L₃ Triple-lip seal
(Optional)



F seal
(Optional)

| Bearing NO. | Dimensions (mm / in.) | | | | | | | | | | | Dynamic load ratings (N) | Static load ratings (N) | Weight (kg) | | | | | | | | | | | | |
|---|--|-----|----------------|------|----|------|----------------|------|----------------|----------------|------|--------------------------|-------------------------|--------------------------------------|-------|--------------------------------------|--------|-------|-----------|-------|-------|-------|-------|-------|------|----------------------|
| | d | D | B ₁ | B | C | S | d _s | G | B ₅ | d ₃ | F | | | | | | | | | | | | | | | |
| HC201 201-8 | 12 1/2 | 47 | 43.7 | 34.2 | 17 | 17.1 | M6x1 | 4.8 | 13.5 | 33.3 | 3.7 | 12800 | 6600 | 0.29 0.29 | | | | | | | | | | | | |
| HC202 202-9 202-10 | 15 9/16 5/8 | | | | | | 1.8504 | | | | | | | | 1.720 | 1.3465 | 0.6693 | 0.673 | 1/4-28UNF | 0.189 | 0.531 | 1.311 | 0.146 | 12800 | 6600 | 0.27 0.26 0.26 |
| HC203 203-11 | 17 11/16 | | | | | | | | | | | | | | | | | | | | | | | 12800 | 6600 | 0.25 0.25 |
| HC204 204-12 | 20 3/4 | 47 | 43.7 | 34.2 | 17 | 17.1 | M6x1 | 4.8 | 13.5 | 33.3 | 3.7 | 12800 | 6600 | 0.21 0.21 | | | | | | | | | | | | |
| HC205 205-13 205-14 205-15 205-16 | 25 13/16 7/8 15/16 1 | 52 | 44.4 | 34.9 | 17 | 17.5 | M6x1 | 4.8 | 13.5 | 38.1 | 3.9 | 14000 | 7850 | 0.25 0.30 0.29 0.27 0.25 | | | | | | | | | | | | |
| HC206 206-17 206-18 206-19 206-20 | 30 1-1/16 1-1/8 1-3/16 1-1/4 | 62 | 48.4 | 36.5 | 19 | 18.3 | M8x1 | 6.0 | 15.9 | 44.5 | 5.0 | | | 19450 | 11250 | 0.37 0.42 0.39 0.37 0.34 | | | | | | | | | | |
| HC207 207-20 207-21 207-22 207-23 | 35 1-1/4 1-5/16 1-3/8 1-7/16 | 72 | 51.1 | 37.6 | 20 | 18.8 | M8x1 | 6.8 | 17.5 | 55.6 | 5.7 | 25700 | 15200 | 0.58 0.65 0.61 0.58 0.56 | | | | | | | | | | | | |
| HC208 208-24 208-25 | 40 1-1/2 1-9/16 | 80 | 56.3 | 42.8 | 21 | 21.4 | M8x1 | 6.8 | 18.3 | 60.3 | 6.2 | | | 29500 | 18100 | 0.73 0.78 0.74 | | | | | | | | | | |
| HC209 209-26 209-27 209-28 | 45 1-5/8 1-11/16 1-3/4 | 85 | 56.3 | 42.8 | 22 | 21.4 | M8x1 | 6.8 | 18.3 | 63.5 | 6.4 | 32700 | 20900 | 0.78 0.89 0.84 0.80 | | | | | | | | | | | | |
| HC210 210-29 210-30 210-31 210-32 | 50 1-13/16 1-7/8 1-15/16 2 | 90 | 62.7 | 49.2 | 24 | 24.6 | M8x1 | 6.8 | 18.3 | 69.9 | 6.5 | | | 35000 | 23200 | 0.94 1.09 1.03 0.97 0.91 | | | | | | | | | | |
| HC211 211-32 211-33 211-34 211-35 | 55 2 2-1/16 2-1/8 2-3/16 | 100 | 71.4 | 55.5 | 25 | 27.8 | M10x1 | 8.0 | 20.7 | 76.2 | 7.0 | 43300 | 29200 | 1.26 1.46 1.38 1.31 1.23 | | | | | | | | | | | | |
| HC212 212-36 212-37 212-38 212-39 | 60 2-1/4 2-5/16 2-3/8 2-7/16 | 110 | 77.8 | 61.9 | 27 | 31.0 | M10x1 | 8.0 | 22.3 | 84.2 | 7.6 | | | 47700 | 32800 | 1.71 1.73 1.78 1.71 1.71 | | | | | | | | | | |
| HC213 213-40 213-41 | 65 2-1/2 2-9/16 | 120 | 85.7 | 68.6 | 28 | 34.1 | M10x1 | 8.5 | 23.5 | 86.0 | 8.5 | 57200 | 40000 | 2.24 1.80 2.23 | | | | | | | | | | | | |
| HC214 214-42 214-43 214-44 | 70 2-5/8 2-11/16 2-3/4 | 125 | 85.7 | 68.6 | 29 | 34.1 | M10x1 | 8.5 | 23.5 | 90.0 | 8.9 | | | 62100 | 44800 | 2.35 2.29 2.48 2.36 | | | | | | | | | | |
| HC215 215-45 215-46 215-47 215-48 | 75 2-13/16 2-7/8 2-15/16 3 | 130 | 92.1 | 75.0 | 30 | 37.3 | M10x1 | 8.5 | 23.5 | 102.0 | 9.2 | 66200 | 49300 | 2.64 2.94 2.81 2.54 2.50 | | | | | | | | | | | | |
| HC216 216-49 216-50 216-51 | 80 3-1/16 3-1/8 3-3/16 | 140 | 95.2 | 74.6 | 32 | 37.3 | M12x1.5 | 10.5 | 27.0 | 110.0 | 9.5 | | | 72600 | 53300 | 3.33 3.53 3.39 3.24 | | | | | | | | | | |
| HC217 217-52 217-53 217-55 | 85 3-1/4 3-5/16 3-7/16 | 150 | 73.8 | 53.2 | 34 | 23.4 | M12x1.5 | 10.5 | 27.0 | 119.0 | 10.2 | 83300 | 63700 | 3.54 3.73 3.61 3.36 | | | | | | | | | | | | |
| HC218 218-56 | 90 3-1/2 | 160 | 72.6 | 55.0 | 36 | 24.5 | M12x1.5 | 9.0 | 24.0 | 122.0 | 11.2 | | | 96000 | 71100 | 3.86 3.95 | | | | | | | | | | |