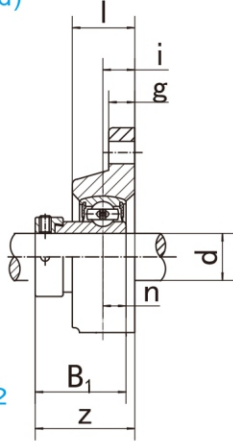
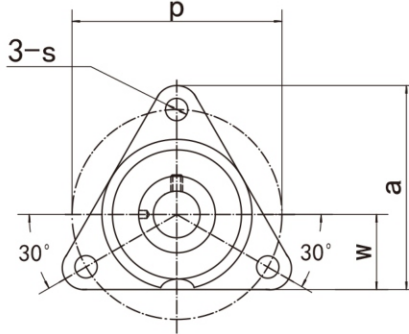


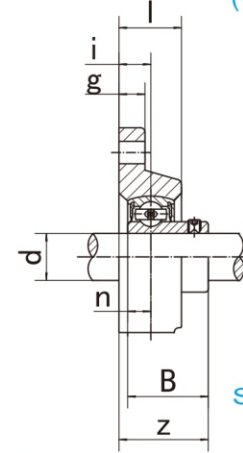
SACFTR2
(SA2-Fitted)



Flange Unit
(Light duty)



SBCFTR2
(SB2-Fitted)



SACFTR2

SBCFTR2

Unit NO.	Dimensions (mm / in.)											Bolt Size mm/in.	Bearing No.	Housing No.	Weight (kg)
	d	a	p	w	g	i	l	s	z	B ₁	n				
SACFTR 201	12	81	76.1	31	11	10	20	11.5	32.1	28.6	6.5	M10 3/8	SA201RG	CFTR201	0.40
SACFTR 202	15	3-3/16	3	1-7/32	7/16	25/64	25/32	29/64	1-17/64	1.1260	0.2559		SA202RG	CFTR202	
SACFTR 203	17												SA203RG	CFTR203	
SACFTR 204	20	92 3-5/8	89.5 3-17/32	35 1-3/8	11 7/16	10.5 13/32	20 25/32	11.5 29/64	34.0 1-11/32	31.0 1.2204	7.5 0.2953	M10 3/8	SA204RG	CFTR204	0.56
SACFTR 205	25	97 3-13/16	96 3-25/32	36 1-27/64	12 15/32	12.5 31/64	22 7/8	11.5 29/64	36.0 1-27/64	31.0 1.2204	7.5 0.2953		M10 3/8	SA205RG	CFTR205
SACFTR 206	30	117 4-39/64	116 4-9/16	44 1-47/64	12 15/32	13.3 17/32	24 15/16	11.5 29/64	40.0 1-37/64	35.7 1.4055	9.0 0.3543	M10 3/8		SA206RG	CFTR206
SACFTR 207	35	128 5-3/64	129.7 5-7/64	48 1-57/64	14 35/64	15.6 39/64	27 1-1/16	14 35/64	45.0 1-49/64	38.9 1.5315	9.5 0.3740		M12 1/2	SA207RG	CFTR207
SACFTR 208	40	137 5-25/64	140 5-33/64	51 2-1/64	16 5/8	18.3 23/32	30 1-3/16	14 35/64	51.0 2-1/64	43.7 1.7205	11.0 0.4331	M12 1/2		SA208RG	CFTR208
SACFTR 209	45	150 5-29/32	160 6-19/64	55 2-11/64	16 5/8	19.2 3/4	33 1-19/64	14 35/64	51.9 2-3/64	43.7 1.7205	11.0 0.4331		M12 1/2	SA209RG	CFTR209
SACFTR 210	50	150 5-29/32	160 6-19/64	55 2-11/64	16 5/8	19.2 3/4	33 1-19/64	14 35/64	51.9 2-3/64	43.7 1.7205	11.0 0.4331	M12 1/2		SA210RG	CFTR210

Unit NO.	Dimensions (mm / in.)											Bolt Size mm/in.	Bearing No.	Housing No.	Weight (kg)
	d	a	p	w	g	i	l	s	z	B	n				
SBCFTR 201	12	81	76.1	31	11	10	20	11.5	26.0	22.0	6.0	M10 3/8	SB201RG	CFTR201	0.38
SBCFTR 202	15	3-3/16	3	1-7/32	7/16	25/64	25/32	29/64	1-1/32	0.8661	0.236		SB202RG	CFTR202	
SBCFTR 203	17												SB203RG	CFTR203	
SBCFTR 204	20	92 3-5/8	89.5 3-17/32	35 1-3/8	11 7/16	10.5 13/32	20 25/32	11.5 29/64	28.5 1-1/8	25.0 0.9843	7.0 0.2756	M10 3/8	SB204RG	CFTR204	0.53
SBCFTR 205	25	97 3-13/16	96 3-25/32	36 1-27/64	12 15/32	12.5 31/64	22 7/8	11.5 29/64	32.0 1-17/64	27.0 1.0630	7.5 0.2953		M10 3/8	SB205RG	CFTR205
SBCFTR 206	30	117 4-39/64	116 4-9/16	44 1-47/64	12 15/32	13.3 17/32	24 15/16	11.5 29/64	35.3 1-25/64	30.0 1.1811	8.0 0.3150	M10 3/8		SB206RG	CFTR206
SBCFTR 207	35	128 5-3/64	129.7 5-7/64	48 1-57/64	14 35/64	15.6 39/64	27 1-1/16	14 35/64	39.1 1-35/64	32.0 1.2598	8.5 0.3350		M12 1/2	SB207RG	CFTR207
SBCFTR 208	40	137 5-25/64	140 5-33/64	51 2-1/64	16 5/8	18.3 23/32	30 1-3/16	14 35/64	43.3 1-45/64	34.0 1.3386	9.0 0.3540	M12 1/2		SB208RG	CFTR208
SBCFTR 209	45	150 5-29/32	160 6-19/64	55 2-11/64	16 5/8	19.2 3/4	33 1-19/64	14 35/64	50.2 1-63/64	41.2 1.6220	10.2 0.4020		M12 1/2	SB209RG	CFTR209
SBCFTR 210	50	150 5-29/32	160 6-19/64	55 2-11/64	16 5/8	19.2 3/4	33 1-19/64	14 35/64	51.8 2-3/64	43.5 1.7126	10.9 0.4290	M12 1/2		SB210RG	CFTR210

Note: To specify relubricatable units, add "G" suffix, (e.g. SBCFTR205G)